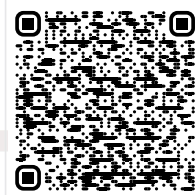


# Cartridge filter Housing AT with turned head

Technical changes reserved | Rev.: 007.24.01



[-> to the product](#)

The AT housing is completely made of stainless-steel V4A. Filter head and lower part are connected by a union nut.

The DOE filter element is secured by a guide rod and fixed with a sealing cap in the housing. The sealing of the filter cartridge occurs through the cutting edge in the filter head and the cutting edge at the end of the guiding rod.

Compared to the AT-ZS or the Code-Variants, less space is required to replace the filter cartridge, since the guiding rod is not connected to the filter head.

The AT filter housings are available in different sizes to fit filter cartridges between 4 7/8" and 20" length. The variety of available filter cartridges results in a wide range of applications for industrial filtration.

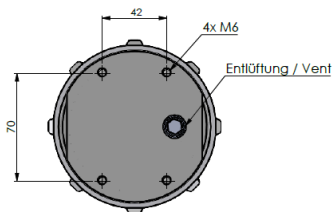
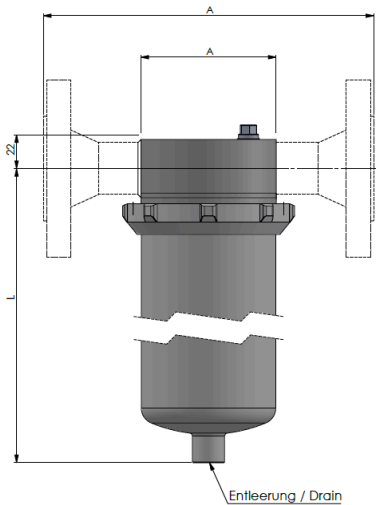
### Optional accessories:

- Bracket for wall mounting
- Mounting wrench
- Drain valve
- Vent valve
- Pressure gauge



### Technical data

Material:	Housing: stainless steel 1.4404 Union nut: stainless steel 1.4301
Working pressure:	max. 16 bar
Working temp.:	max. 80°C with standard gasket
In-/outlet:	female thread DIN ISO 228 G / BSPP Flange DIN 1092-1 PN16
Drain:	3/8" female thread DIN ISO 228 G / BSPP
Vent:	1/8" female thread DIN ISO 228 G / BSPP
Flow rate:	up to 4 m <sup>3</sup> /h *
Adapter:	DOE, Code3, Code7
Gasket:	NBR, other on demand
Manufactured acc. to the pressure equipment directive (2014/68/EU) article 4, p. 3	
* Depending on the connections and the micron rating of the filterelement	



### Dimension

	female thread	Flange DN15	Flange DN25
A	88 mm	215 mm	215 mm
L	DOE	Code3	Code7
AT-400	168 mm	Not available	Not available
AT-400-A	187 mm	Not available	Not available
AT-401	293 mm	Not available	Not available
AT-401-A	313 mm	Not available	Not available
AT-410	294 mm	Not available	Not available
AT-410-A	313 mm	363 mm	432 mm
AT-402	553 mm	Not available	Not available
AT-402-A	573 mm	Not available	Not available
AT-420-A	570 mm	613 mm	683 mm

### Order information

AT - [ ] - [ ] - F - [ ] - [ ]

Element length	
400	4 7/8"
401	9 3/4"
410	10"
402	19 1/2"
420	20" *

Drain	
none	
A with Drain	

Adapter	
DOE	
222 Code 3**	
226 Code 7**	

Connection	
3/4	3/4"
1	1"
DN15	3/4"
DN25	1"

\* With drain only

\*\*for 410 + 420 length, incl. drain only

Order example: AT-410-A-F-3/4